

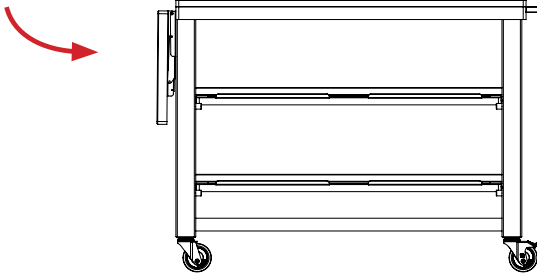
## BUTCHER TROLLEY CARE INSTRUCTIONS

### USE

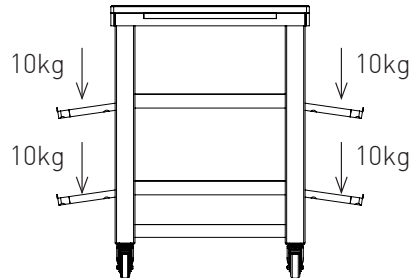
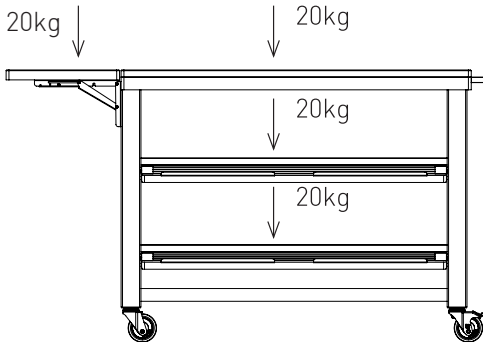
- Do not manoeuvre whilst flaps are extended, this will damage the brackets
- Do not place hot items directly onto trolley, always use a heat proof mat
- Do not allow liquids to stand on surface

### CLEANING

- Remove all dirt and liquids using warm soapy water and a non-abrasive cloth
- Do not use sanitising sprays
- Remove soap residue using water and a non-abrasive cloth



CLOSE SIDES AND DRAWERS BEFORE MOVING TROLLEY



MAXIMUM STATIONARY LOADING